

FURUNO

SATELLITE SPEED LOG



Model:
GS-100

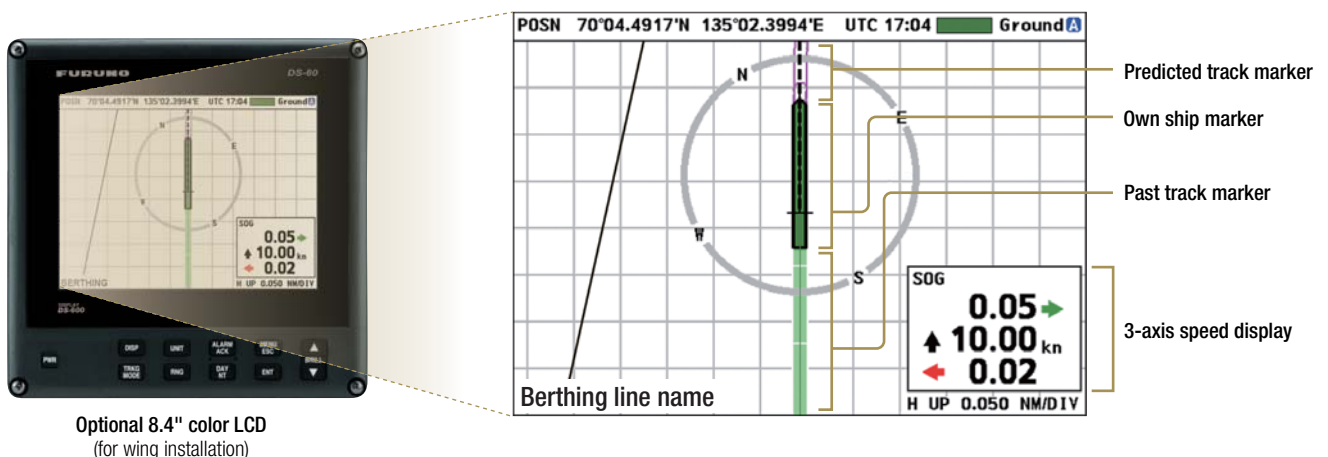
FURUNO satellite speed log GS-100 delivers highly accurate speed measurement for safe berthing and docking operations



- ▶ Offers transverse speed at bow and stern position, as well as longitudinal speed
- ▶ Provides transverse speed at any position of the ship utilizing the built-in satellite compass
- ▶ Delivers roll, pitch and angular information for navigation equipment such as Radar, ECDIS and AIS. Accurate information of ship's attitude contributes to safe and efficient navigation.
- ▶ Fully complies with SDME (Speed and Distance Measuring Device) standard (IEC 61023) and THD (Transmitting Heading Device) standard (ISO 22090-3)
- ▶ 5.7" color LCD
- ▶ Compact antenna unit facilitates ease of installation
- ▶ Simplified menu operation
The operator can navigate through the menu by pressing the cursor or pressing the numeric key associated with the menu items.

Provides speed accuracy of ± 0.02 kn

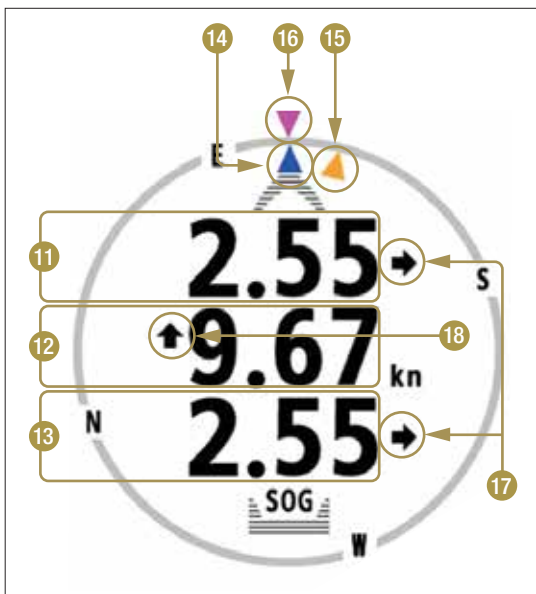
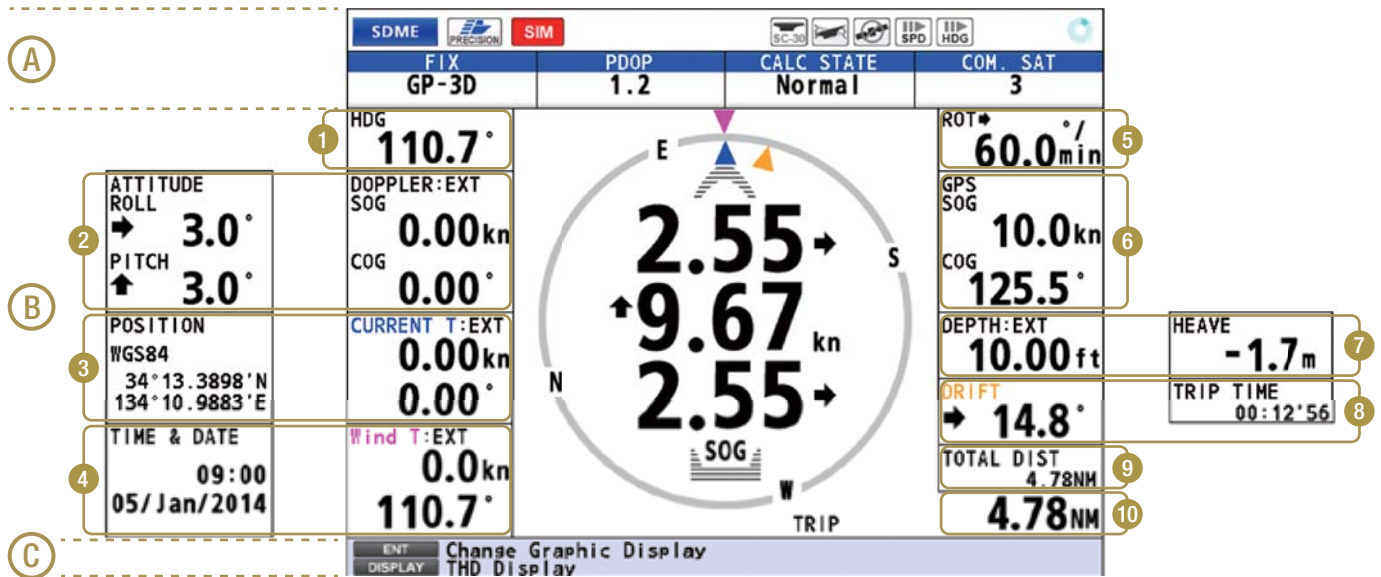
The measurement capability at dead slow speed is vital for precise docking of large ships. The GS-100 offers speed accuracy of ± 0.02 kn, which is of great help during berthing operations. Also, an optional 8.4" color LCD for a wing workstation installation gives high-legibility, real-time information in both graphics and alphanumerics.



MSC.334 (90) Revised carriage requirement for Speed log

- For ships of 50,000 GT and upwards, 2 separate devices, namely one for STW and one for SOG (2-axis) should be provided.
- Applies to ships constructed on or after July 1, 2014

Navigation Display

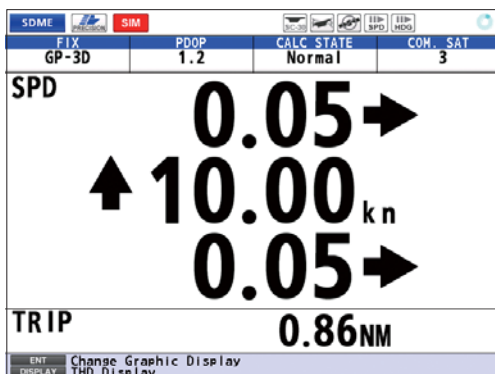


- (A) Current selected mode (SDME or THD), integrity status and common satellite number, etc. are displayed.
- (B) This area shows the information specific to the display mode currently selected. Please refer to each of the display modes for details.
- (C) Guide to currently available actions is displayed. Under an alert situation, the information about the most imminent alert is displayed.

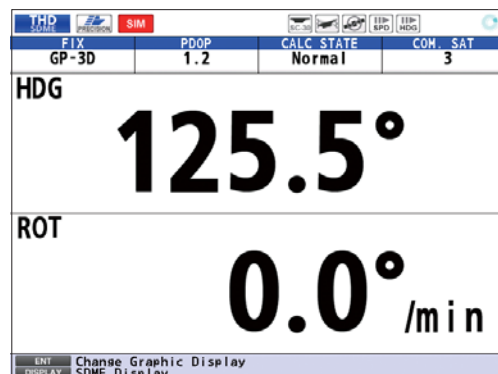
- 1 Heading
- 2 Roll/Pitch or Doppler measured SOG/COG*
- 3 Position or Current speed/direction*
- 4 Time & Date or Wind speed/direction*
- 5 ROT
- 6 GNSS measured SOG/COG
- 7 Heave or Depth*
- 8 Trip time or Drift angle*
- 9 Total distance
- 10 Trip distance
- 11 Transverse speed at bow position
- 12 Longitudinal speed
- 13 Transverse speed at stern
- 14 Current direction*
- 15 Drift angle*
- 16 Wind angle*
- 17 Bow/Stern velocity ←→
- 18 Heading velocity ↑↓

* displayed with connection of appropriate external sensors

Text screen



Speed/Trip



Heading/ROT

SPECIFICATIONS

Product Name		SATELLITE SPEED LOG	
Accuracy	Speed	at Antenna Unit (satellite: more than 5)	0.02 kn RMS
		transverse speed at reference position (satellite: more than 5)	0.08 kn RMS
		satellite: 3 or 4	0.2 kn RMS
Resolution	Trip distance		0.01 NM
	Attitude (Heading/Pitch/Roll)		0.5° RMS
	Heave		less than 30 cm
Follow-up (Heading/Pitch/Roll)	Settling time		45" /s
	Receive Frequency		3 min typical (Max. 15 min)
	Receiver Type		L1: 1575.42 MHz±1.023 MHz
Position Accuracy	GPS		C/A code, SBAS
	GPS+SBAS		less than 10 m (2 drms)
Display	Interface		less than 7 m (2 drms)
			5.7" color LCD
Interface	IEC 61162-1 IN/OUT		2
	IEC 61162-1 OUT		1
	IEC 61162-2 IN/OUT		1
	Ethernet (IEC 61162-450)		1
	USB (for maintenance)		1

POWER SUPPLY

Junction Box	24 VDC: 0.6 A
--------------	---------------

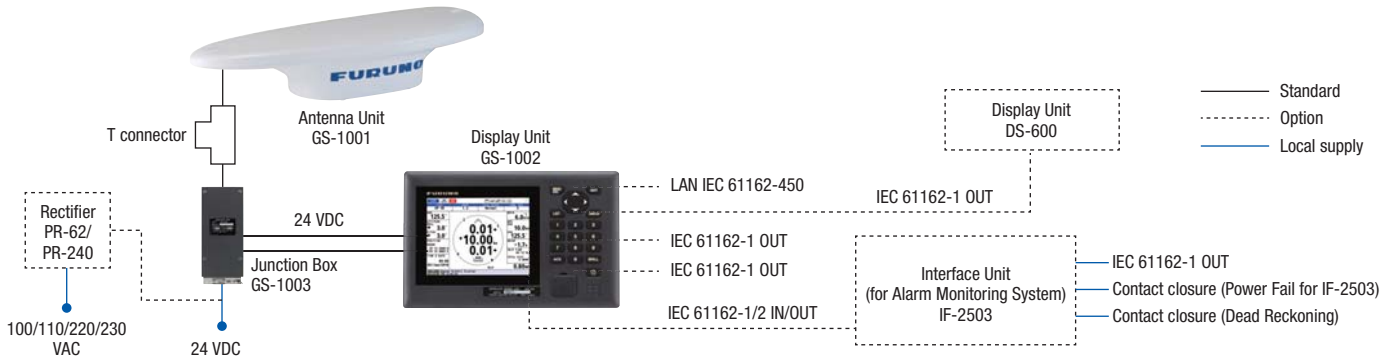
ENVIRONMENT

Ambient Temperature	Antenna	-25°C to +70°C
	Display Unit	-15°C to +55°C
Relative Humidity		95 % or less at 40°C
Degree of protection	Antenna	IP56
	Display Unit	IP25
	Junction Box	IP22
Vibration		IEC 60945 Ed. 4

EQUIPMENT LIST

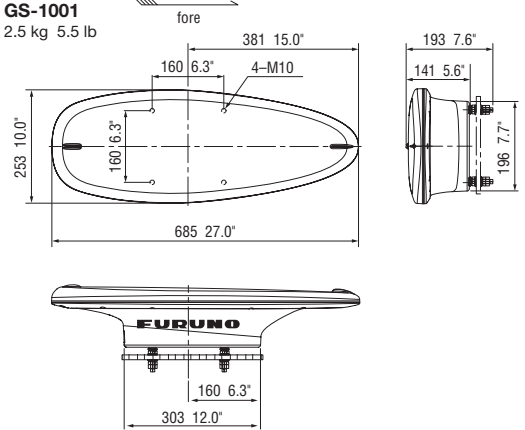
Standard		Option	
1. Antenna Unit	GS-1001	×1	1. Interface Unit (for Alarm Monitoring System) IF-2503
2. Display Unit	GS-1002	×1	2. Display Unit DS-600
3. Junction Box	GS-1003	×1	3. Bird-Repellent Fixture OP20-36
4. Cable between Antenna Unit and Junction Box	×1		4. Rectifier PR-62/PR-240
	for Merchant vessel (30/40/50 m)		5. Flushmount Kit OP20-40/41
	for Recreational boats or Fishing vessel (15/30 m)		6. Watertight LAN cable (3 m)
5. Cable between Display Unit and Junction Box (for Signal, 6 m)	×1		7. Serial cable (for IEC 61162-1, 5/10/20 m)
6. Cable between Display Unit and Junction Box (for Power Supply, 6 m)	×1		8. Serial cable (for IEC 61162-2, 5 m)
7. Serial cable (for IEC 61162-1, 5 m)	×1		9. Cable between Antenna Unit and Junction Box for Merchant vessels (30/40/50 m)
8. Installation Materials	×1		for Recreational boats or Fishing vessels (15/30 m)

Interconnection Diagram



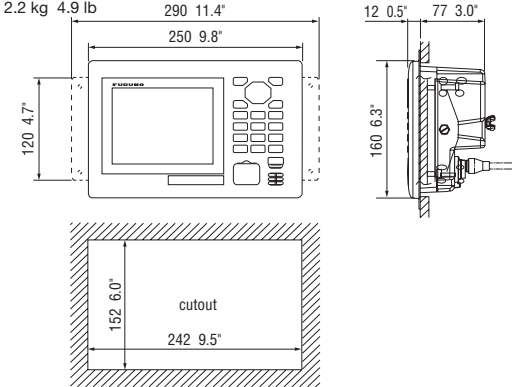
Antenna Unit

GS-1001
2.5 kg 5.5 lb



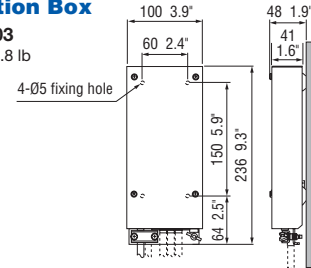
Display Unit

GS-1002
2.2 kg 4.9 lb



Junction Box

GS-1003
0.8 kg 1.8 lb



All brand and product names are registered trademarks, trademarks or service marks of their respective holders.
SPECIFICATIONS SUBJECT TO CHANGE WITHOUT NOTICE

FURUNO ELECTRIC CO., LTD.
Nishinomiya, Hyogo, Japan
www.furuno.com

FURUNO U.S.A., INC.
Camas, Washington, U.S.A.
www.furunousa.com

FURUNO (UK) LIMITED
Havant, Hampshire, U.K.
www.furuno.co.uk

FURUNO NORGE A/S
Ålesund, Norway
www.furuno.no

FURUNO DANMARK A/S
Hvidovre, Denmark
www.furuno.dk

FURUNO SVERIGE AB
Västra Frölunda, Sweden
www.furuno.se

FURUNO FINLAND OY
Espoo, Finland
www.furuno.fi

FURUNO POLSKA Sp. z o.o.
Gdynia, Poland
www.furuno.pl

FURUNO DEUTSCHLAND GmbH
Rellingen, Germany
www.furuno.de

FURUNO FRANCE S.A.S.
Bordeaux-Mérignac, France
www.furuno.fr

FURUNO ESPAÑA S.A.
Madrid, Spain
www.furuno.es

FURUNO ITALIA S.r.l.
Genoa, Italy

FURUNO HELLAS S.A.
Glyfada, Greece
www.furuno.gr

FURUNO (CYPRUS) LTD
Limassol, Cyprus
www.furuno.com.cy

FURUNO EURUS LLC
St. Petersburg, Russian Federation
www.furuno.com.ru

FURUNO SHANGHAI CO., LTD.
Shanghai, China
www.furuno.com/cn

FURUNO KOREA CO., LTD.
Busan, Korea
RICO (PTE) LTD
Singapore
www.rico.com.sg

14075SK Printed in Japan
Catalogue No. N-878a